



dorna robotics

dorna robotics

1182 MONTE VISTA AVE, STE 19
UPLAND CA 91786-8205

US

+1 (979) 324-8491

sales@dorna.ai

<https://dorna.ai>

Dorna 2

5-axis robotic arm

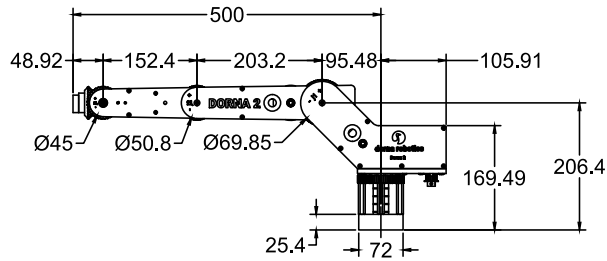
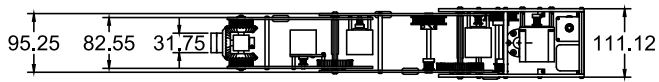


Characteristics

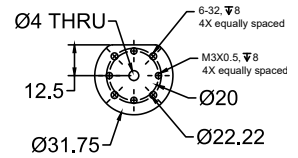
Model	Dorna 2	
Payload	1 kg / 2.2 lbs. (max 1.5 kg / 3.3 lbs.)	
Reach	500 mm / 19.7 in	
Degrees of freedom	5 rotating joints	
Movement		
Repeatability	0.0254 mm / 0.001 in	
Axis movement arm	Range of motion	Maximum speed
Axis 1	355 deg [-160, 180]	600 deg/sec
Axis 2	270 deg [-90, 180]	450 deg/sec
Axis 3	284 deg [-142, 142]	450 deg/sec
Axis 4	270 deg [-135, 135]	2000 deg/sec
Axis 5	Infinite	2000 deg/sec
XYZ speed	1200 mm/sec	
Physical		
Weight including the cables	5.5 kg / 13 lbs.	
Material	Aluminum	
Cable length	Two cables, each 1 m / 39.4 in	
Attachment methods	Floor /ceiling	
Footprint	72 mm × 72 mm	
Control box		
Communication	TCP/IP server (Ethernet and Wi-Fi)	
I/O ports	Digital input	16
	Digital output	16
	PWM	5
	ADC	2
I/O power supply	2 V, 1 A	
Power source	100-240 VAC, 47-440 Hz	
Control box size (W × H × D)	280 mm x 120 mm x 220 mm	
Weight	3.8 kg / 8.4 lbs.	
Material	Steel and plastic	

Drawings

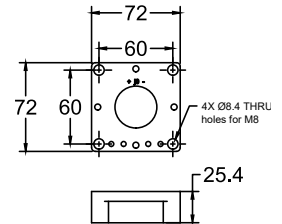
Dimensions



Wrist

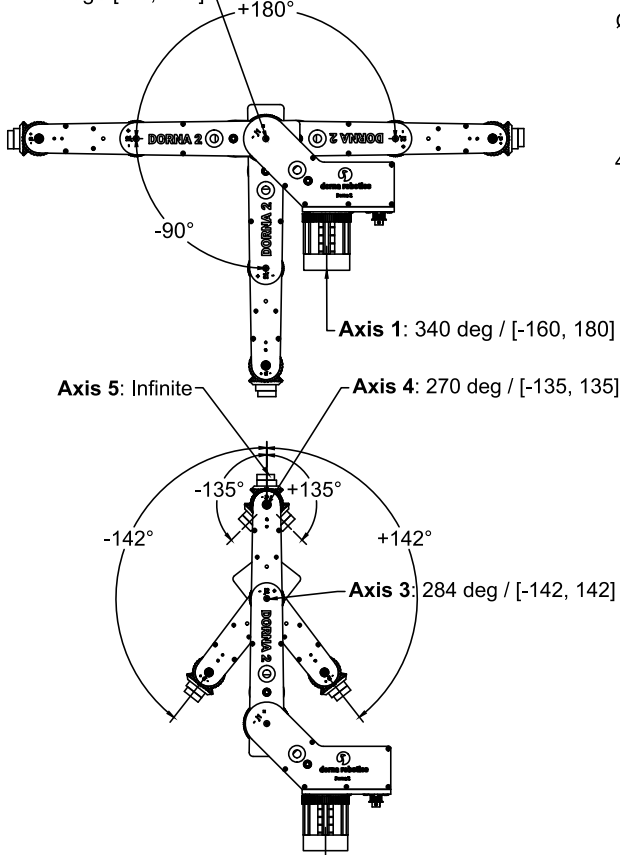


Mounting



Motion range

Axis 2: 270 deg / [-90, 180]



Work envelope

